



The Standard in Retail

pazwall[®]
BY PAZ SYSTEMS INC

www.pazwall.com

A retail display wall system featuring a central horizontal bar with hanging clothes. To the left, a stack of white hangers holds a dark sequined dress. To the right, several dark brown dresses and light-colored lace tops are hanging. Above the bar, a white panel contains text. Shelves with shoes and folded clothes are visible on the sides.

Paz Systems Inc. offers a variety of innovative perimeter wall systems for leading retailers. A company with 30 years of experience, Pazwall is dedicated to developing products that are aesthetic, functional and labor efficient. We offer a fully modular Retail Display Wall System with a wide array of design features as well as guaranteed exact spacing for display hardware.

Table of Contents

Fixed Panel Recessed Standard System

Typical System Elevation (grid only).....	3
Panel Details.....	3
System Components & Details.....	4-14

Removable Panel Recessed Standard System

Typical System Elevation (grid only).....	17
Panel Details.....	17
System Components & Details.....	18-25

Drywall Panel Recessed Standard System

Typical System Elevation (grid only).....	28
Panel Details.....	28
System Components & Details.....	29-33

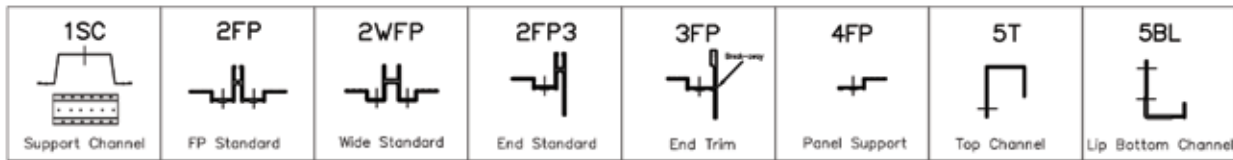
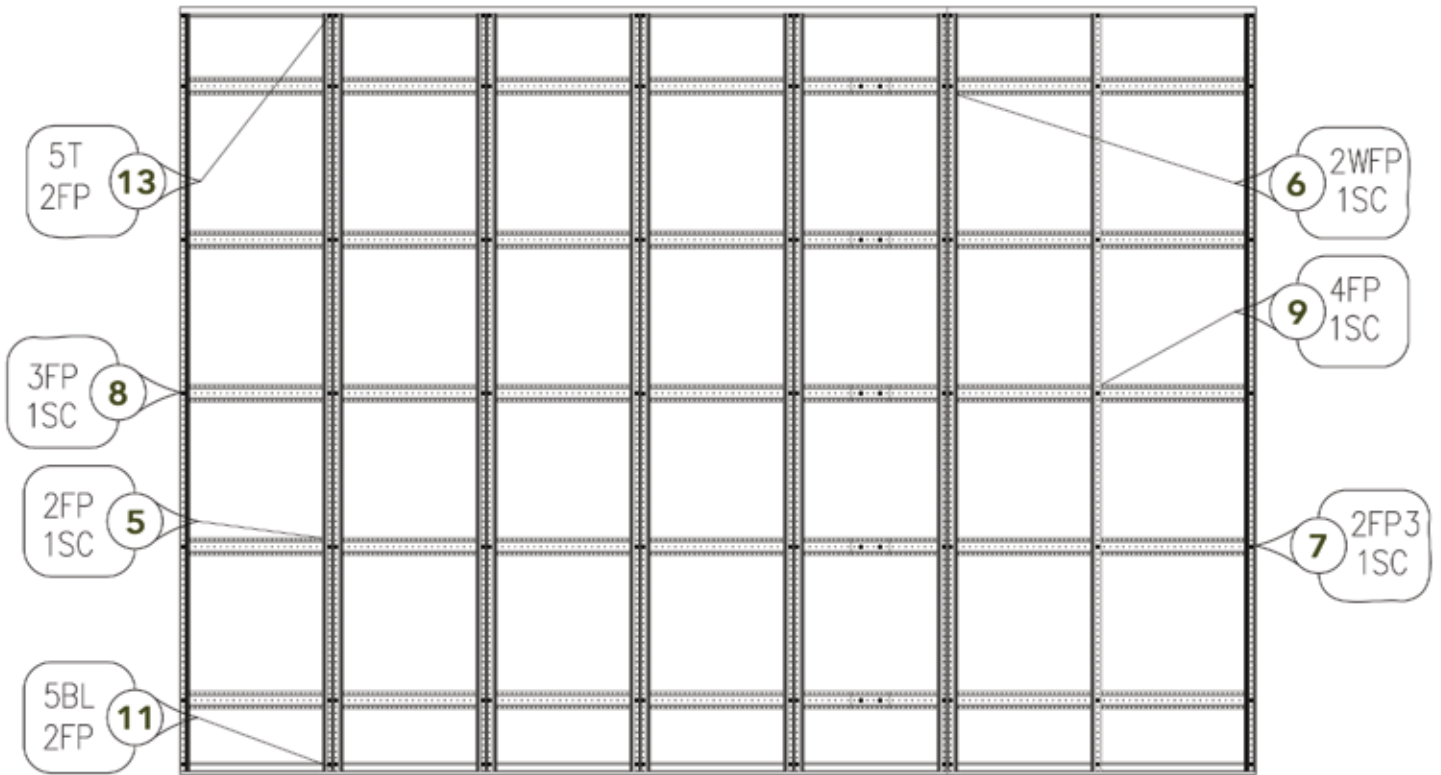
Panel Styles.....	36
-------------------	----

Fixed Panel Recessed Standard System

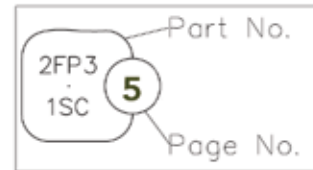


A fully modular Retail Display Wall system that offers a wide array of designer choices along with exact spacing for display hardware.

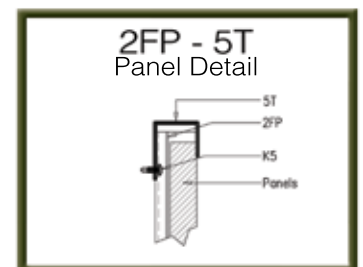
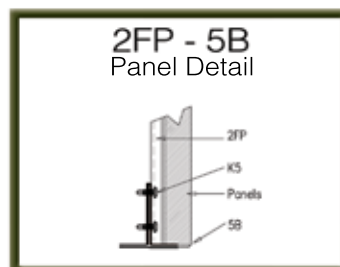
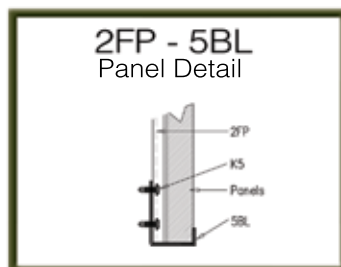
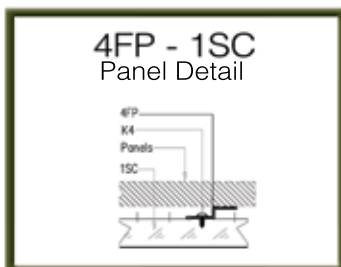
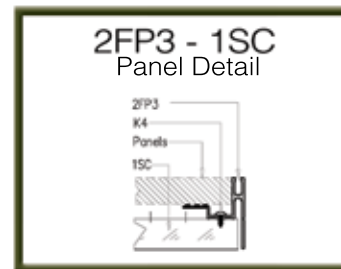
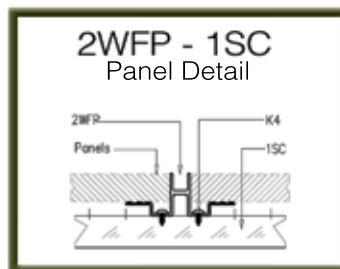
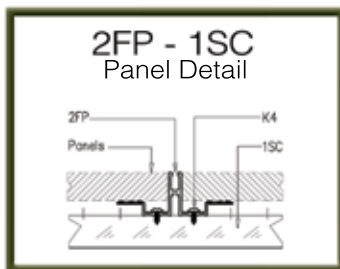
Typical Fixed Panel System Elevation (grid only)



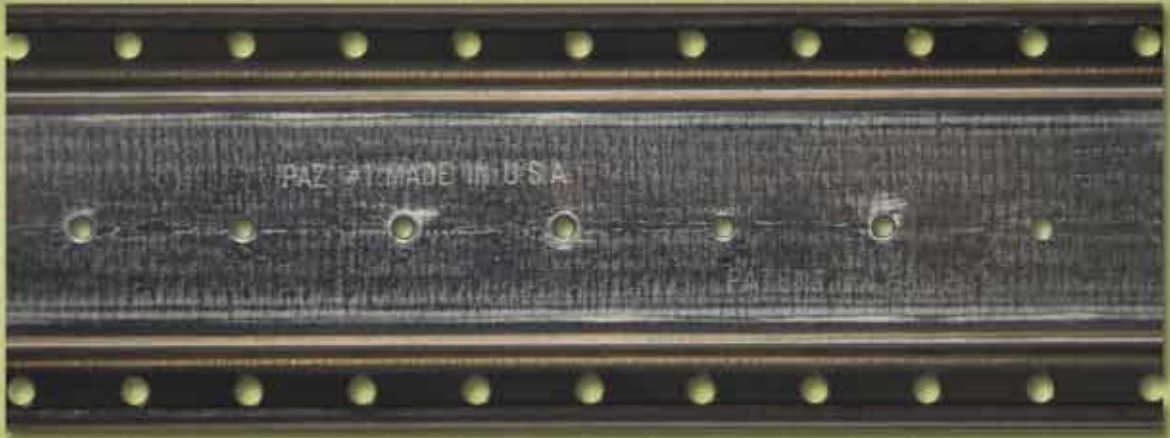
Key



Fixed Panel Details



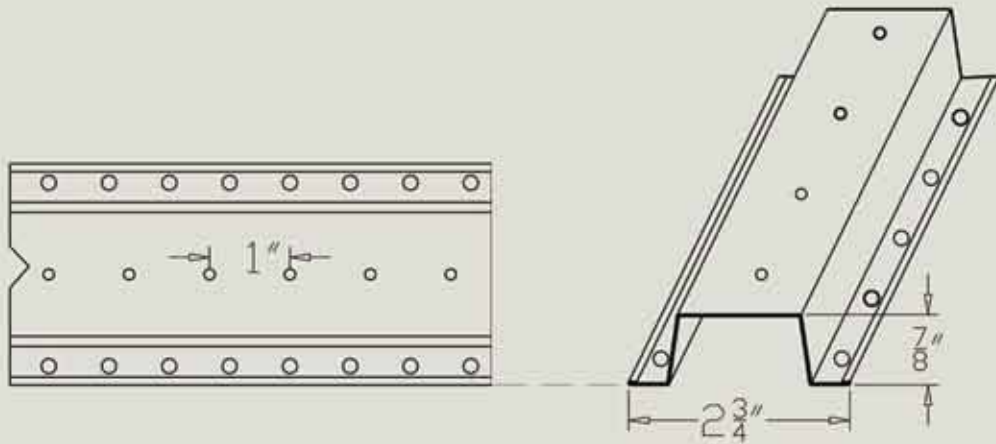
Support Channel



Part Number 1SC

Material	22 Ga. Steel
Finishes	Galvanized
Size	126"

1SC Support Channel

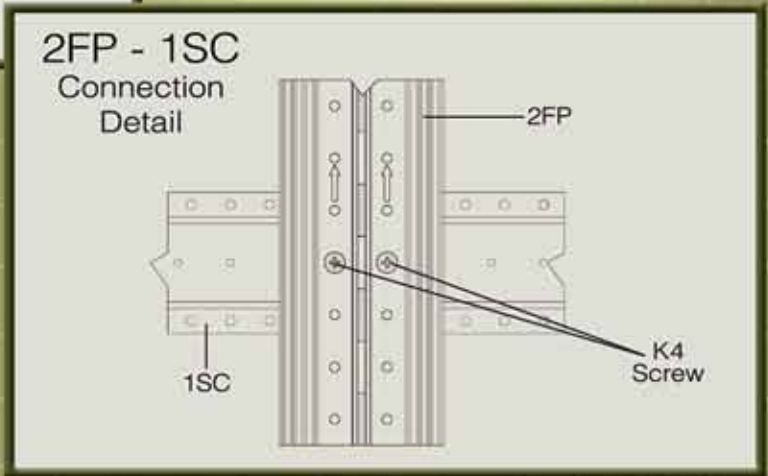
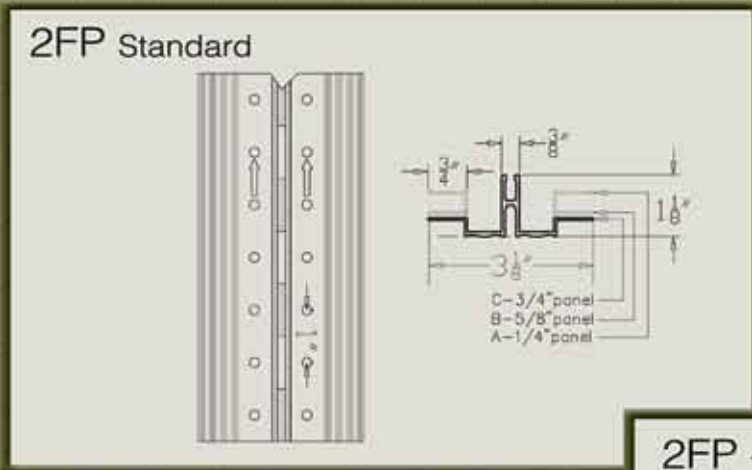


Display Recessed Standard

Material	Aluminum
Panels	1/4", 5/8", 3/4"
Finishes	Mill, Black Anodized, Powder Coat
Slotting	1/2"-1" (On Center), 1"-2" (On Center)
Stock Sizes	96", 120", 144"

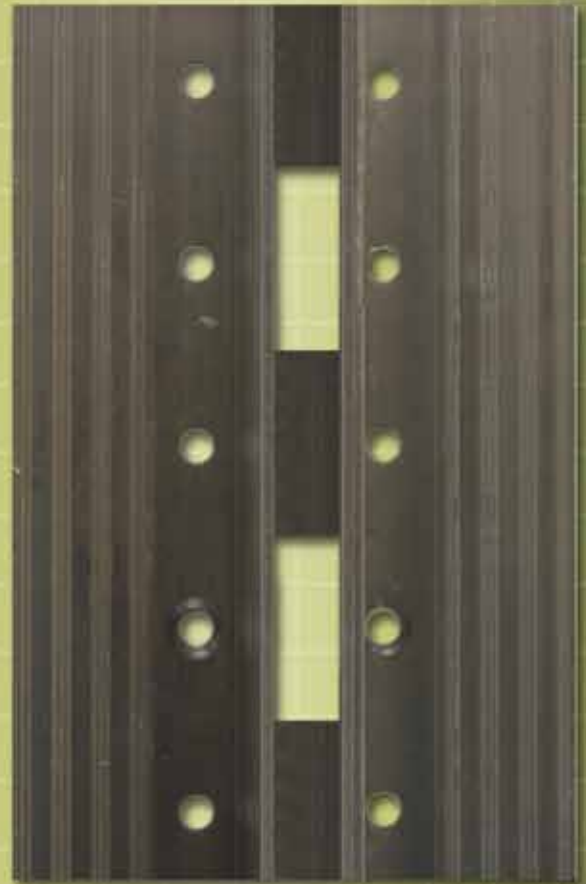


Part Number 2FP



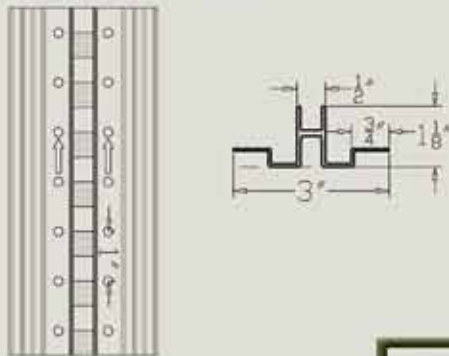
Double Wide Display Recessed Standard

Material	Aluminum
Panels	1/4", 3/4"
Finishes	Mill, Black Anodized, Powder Coat
Slotting	1/2"-1" (On Center), 1"-2" (On Center)
Stock Sizes	96", 120", 144"



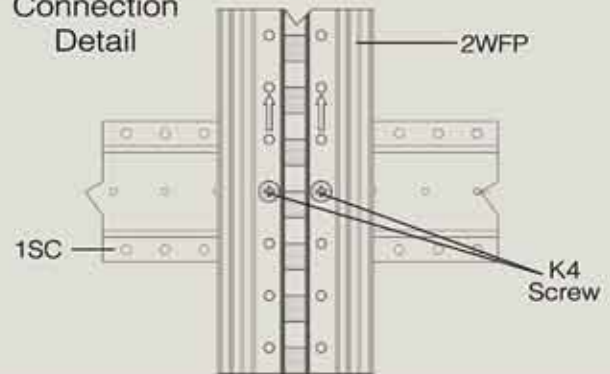
Part Number 2WFP

2WFP Double Wide Display Recessed Standard



2WFP - 1SC

Connection Detail



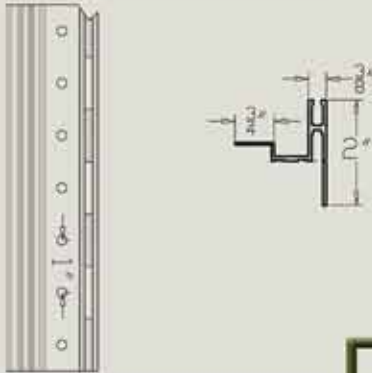
Display Recessed End Standard

Material	Aluminum
Panels	1/4", 5/8", 3/4"
Finishes	Bright Dipped, Black Anodized, Powder Coat
Slotting	1/2"-1" (On Center), 1"-2" (On Center)
Stock Sizes	96", 120", 144"

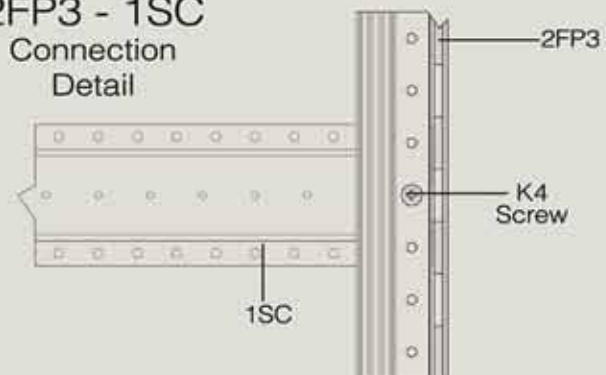


Part Number 2FP3

2FP3 Display Recessed End Standard



2FP3 - 1SC
Connection
Detail

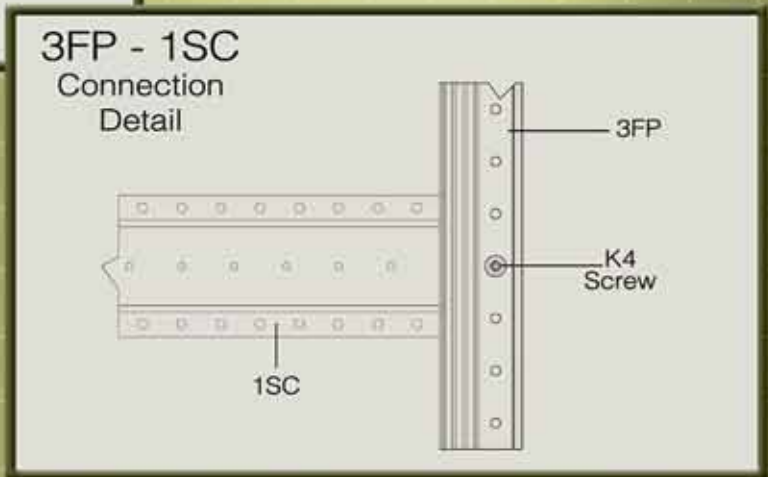
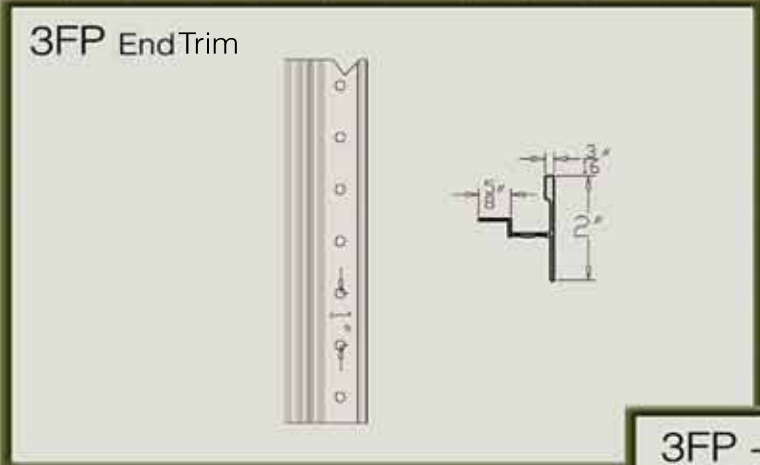


End Trim

Material	Aluminum
Panels	1/4", 5/8", 3/4"
Finishes	Bright Dipped, Black Anodized, Powder Coat
Stock Sizes	96", 120", 144"



Part Number 3FP

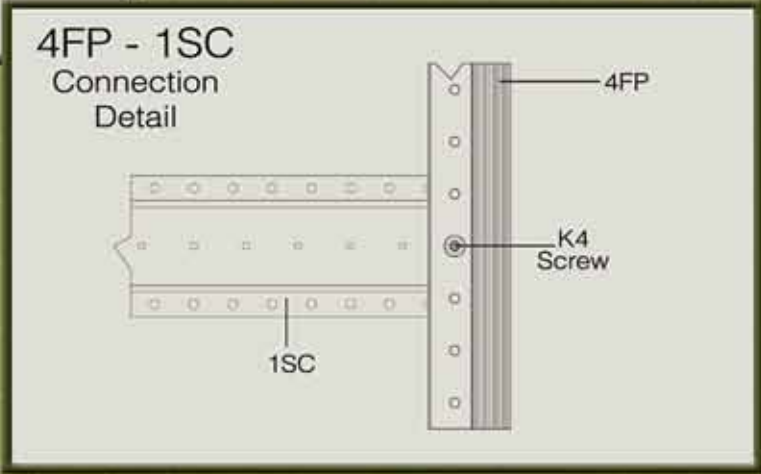
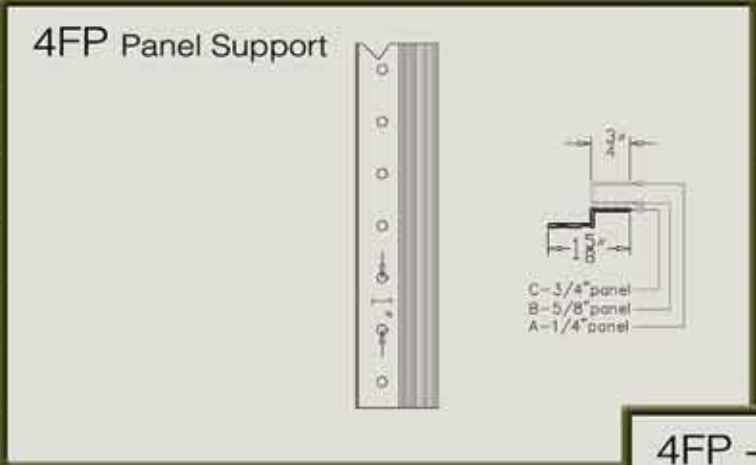


Panel Support

Material	Aluminum
Panels	1/4", 5/8", 3/4"
Finishes	Mill
Stock Sizes	96", 120", 144"



Part Number 4FP



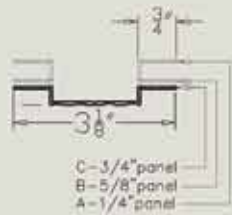
Dual Panel Support

Material	Aluminum
Panels	1/4", 5/8", 3/4"
Finishes	Mill
Stock Sizes	96", 120", 144"



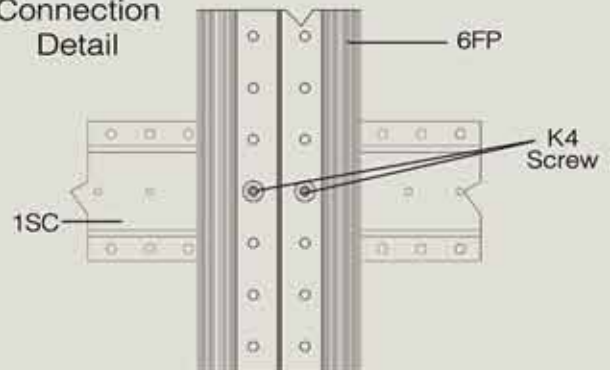
Part Number 6FP

6FP Dual Panel Support

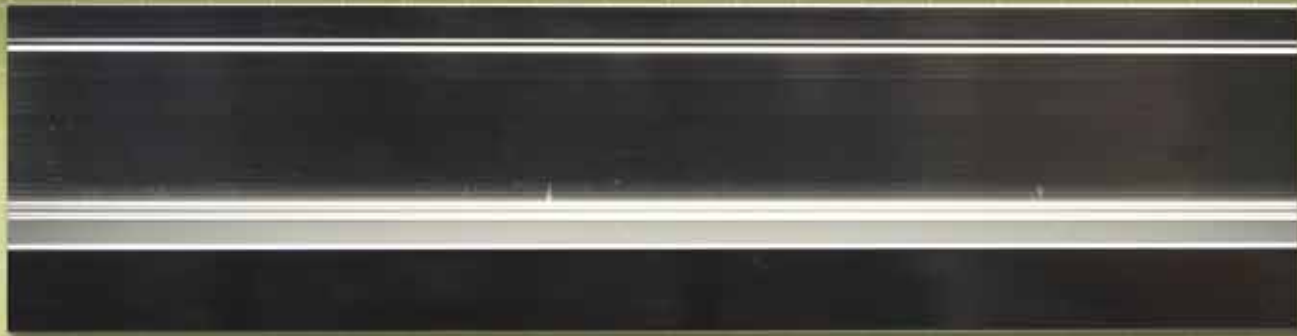


6FP - 1SC

Connection Detail



Bottom Channel - (Lip)



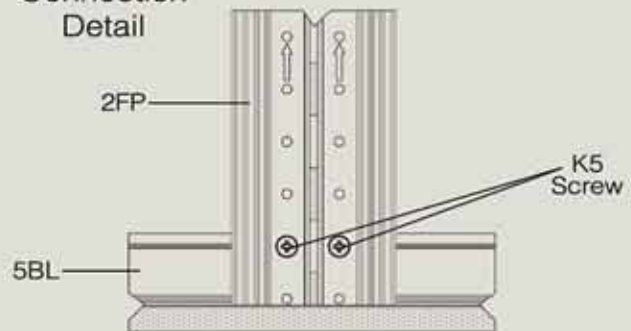
Part Number 5BL

Material	Aluminum
Panels	1/4", 5/8", 3/4"
Finishes	Bright Dipped, Black Anodized, Powder Coat
Stock Size	120"

5BL Bottom Channel-(Lip)



5BL - 2FP
Connection
Detail



Bottom Channel - (No Lip)



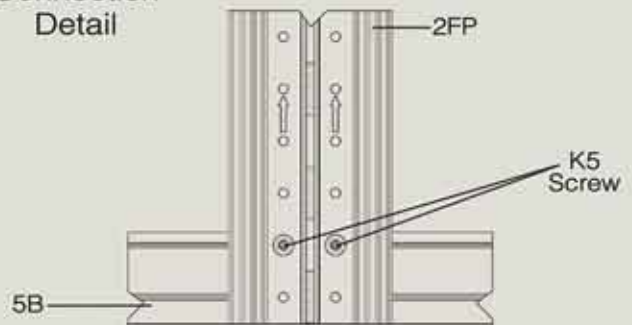
Part Number 5B

Material	Aluminum
Panels	1/4", 5/8", 3/4"
Finishes	Mill
Stock Size	120"

5B Bottom Channel-(No Lip)



5B - 2FP
Connection
Detail



Top Channel



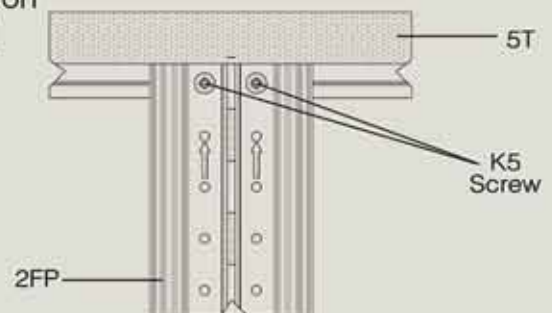
Part Number 5T

Material	Aluminum
Panels	1/4", 5/8", 3/4"
Finishes	Bright Dipped, Black Anodized, Powder Coat
Stock Size	120"

5T Top Channel



5T - 2FP
Connection
Detail



Wall System Hardware



K4 System Fasteners



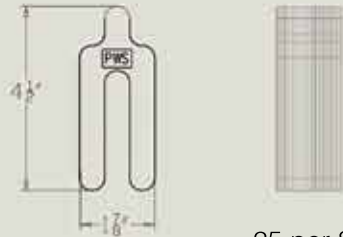
Number 10x5/8

K5 Teck Screws



Number 8x1/2

K2 Shim Stacks



25 per Stack

K8 Hold Down Clips





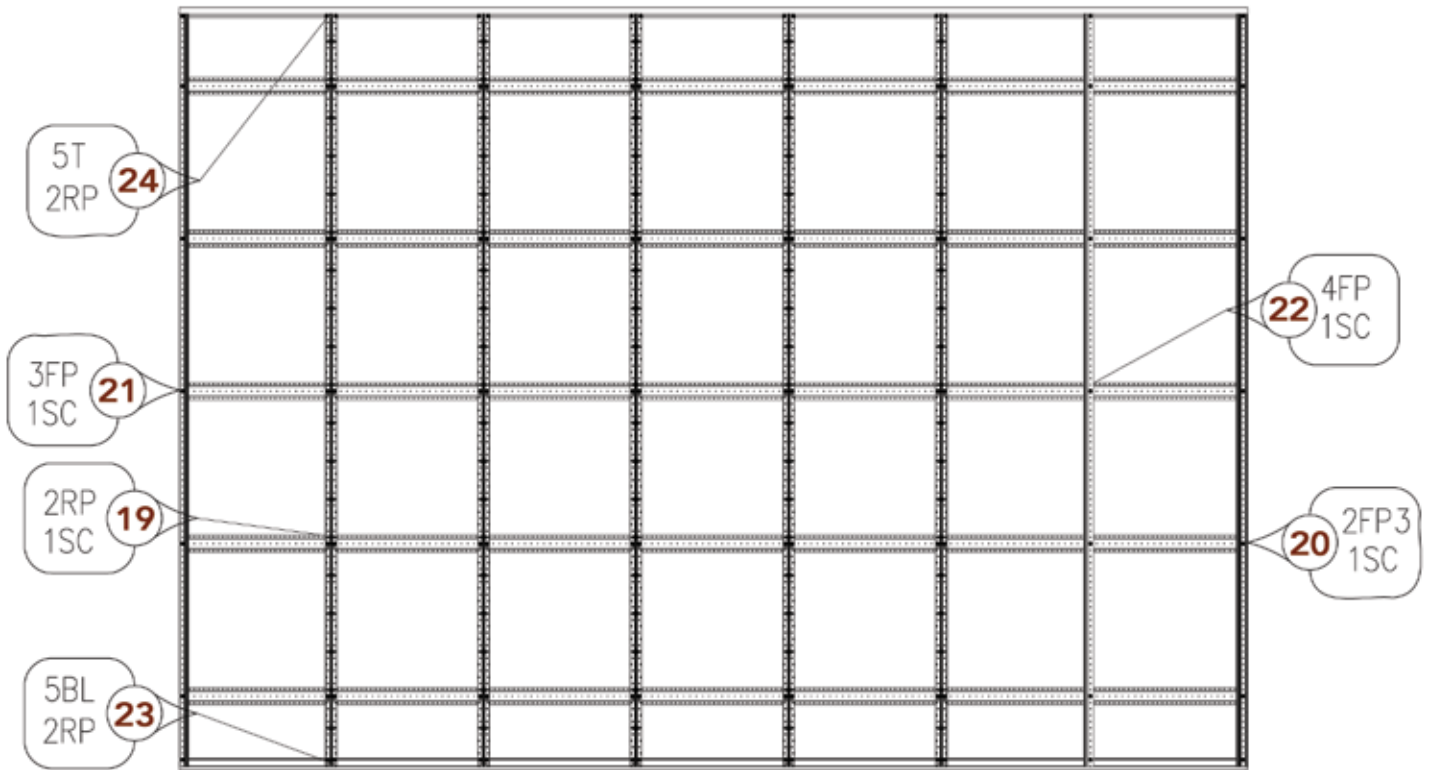
Fixed Panel Recessed Standard System

Removable Panel Recessed Standard System



With removable panels you can take advantage of choice. Change the look of your display by choosing from hundreds of styles, from solid to translucent, slatwall to mirrored.

Typical Removable Panel System Elevation (grid only)

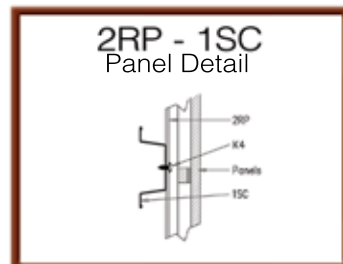
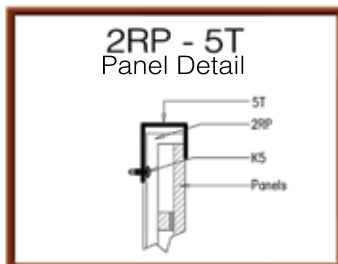
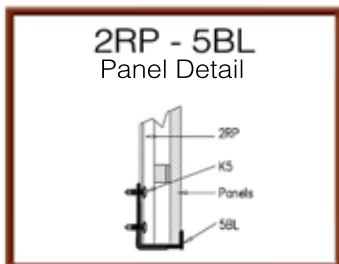
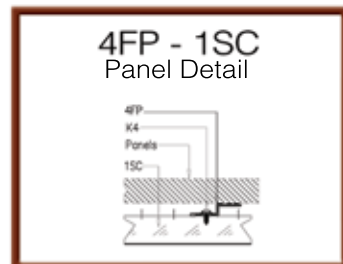
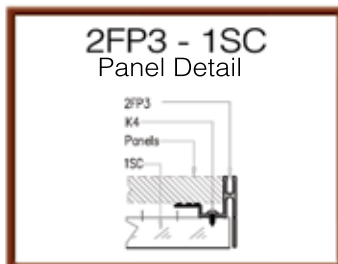
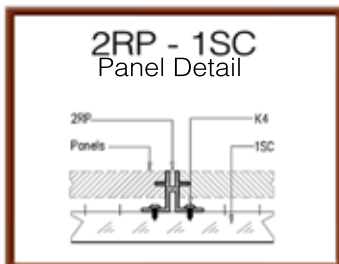


 1SC Support Channel	 2RP RP Standard	 2FP3 End Standard	 3FP End Trim	 4FP Panel Support	 5T Top Channel	 5BL Lip Bottom Channel
----------------------------	------------------------	--------------------------	---------------------	--------------------------	-----------------------	-------------------------------

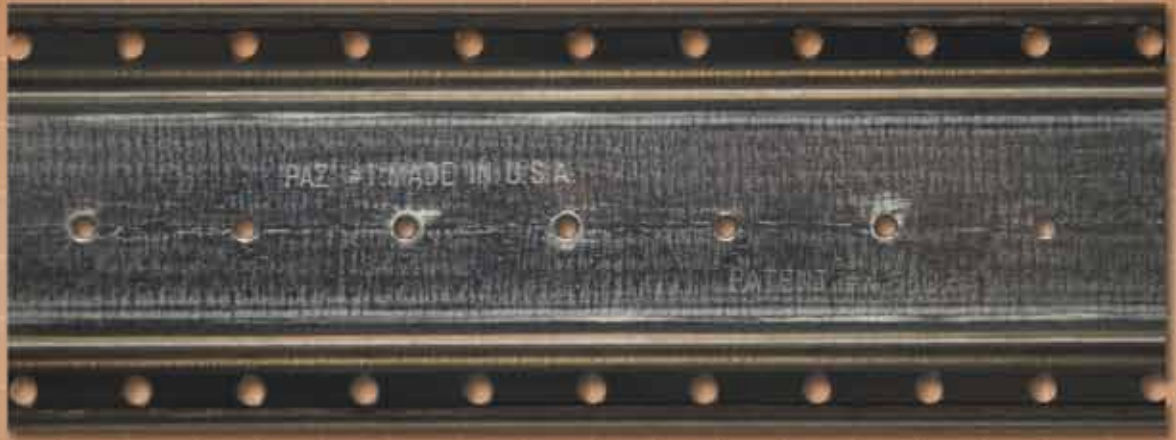
Key



Removable Panel Details



Support Channel



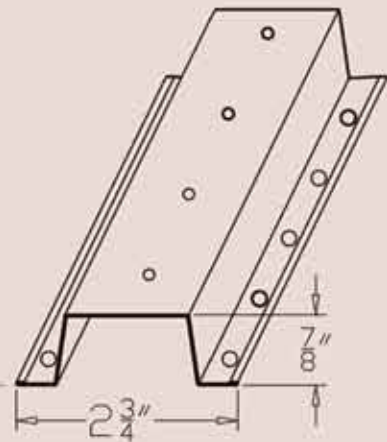
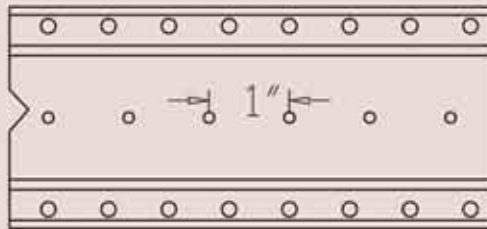
Part Number 1SC

Material 22 Ga. Steel

Finishes Galvanized

Size 126"

1SC Support Channel

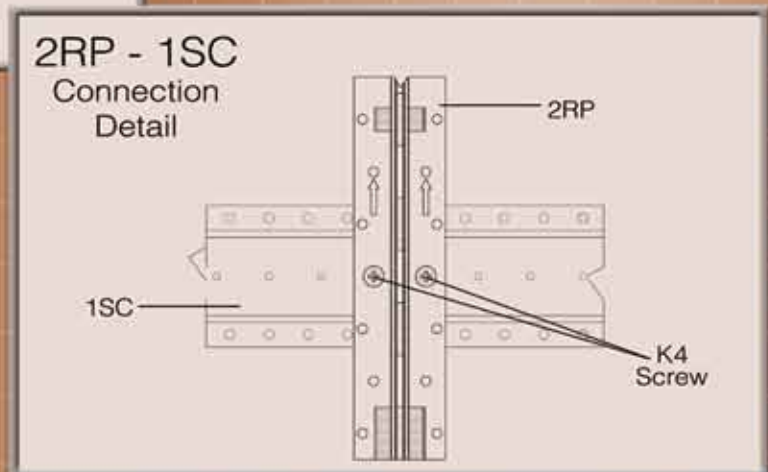
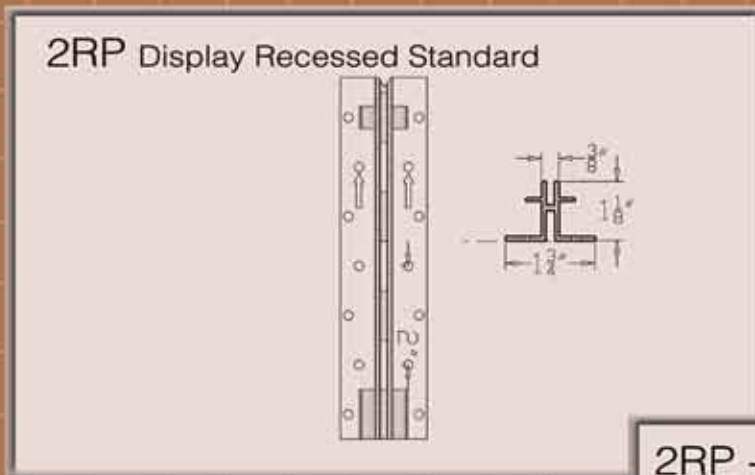


Display Recessed Standard

Material	Aluminum
Panels	1/4" (mirrors & graphic panels), 3/4"
Finishes	Mill, Black Anodized, Powder Coat
Slotting	1"-2" (On Center)
Stock Sizes	96", 120", 144"



Part Number 2RP

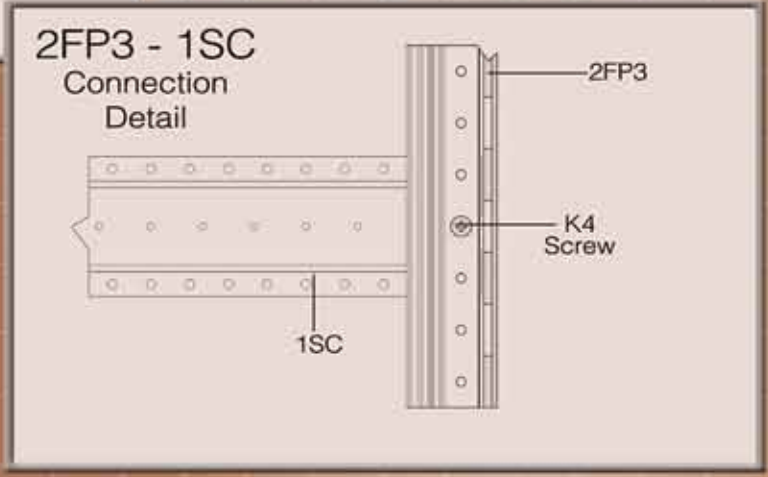
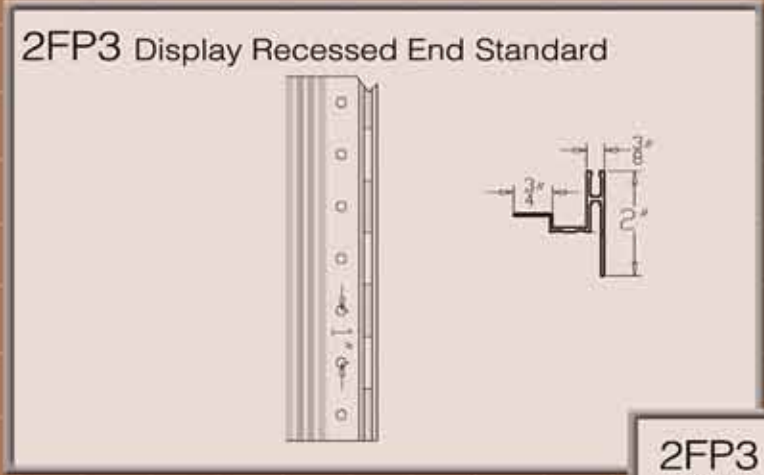


Display Recessed End Standard

Material	Aluminum
Panels	1/4" (mirrors & graphic panels), 3/4"
Finishes	Bright Dipped, Black Anodized, Powder Coat
Slotting	1"-2" (On Center)
Stock Sizes	96", 120", 144"



Part Number 2FP3

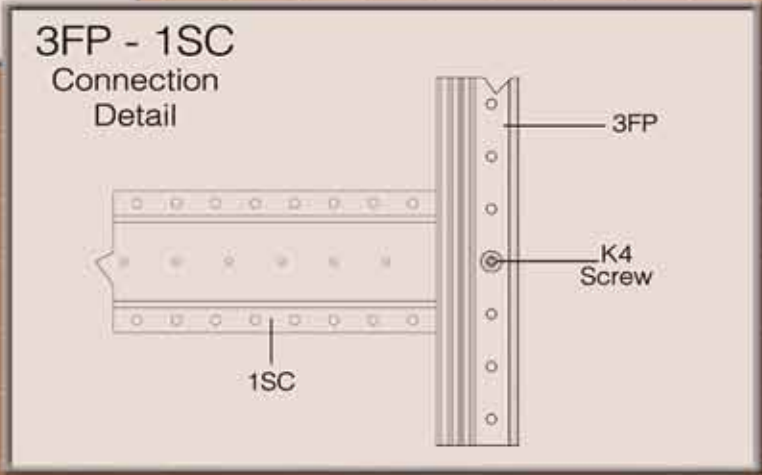
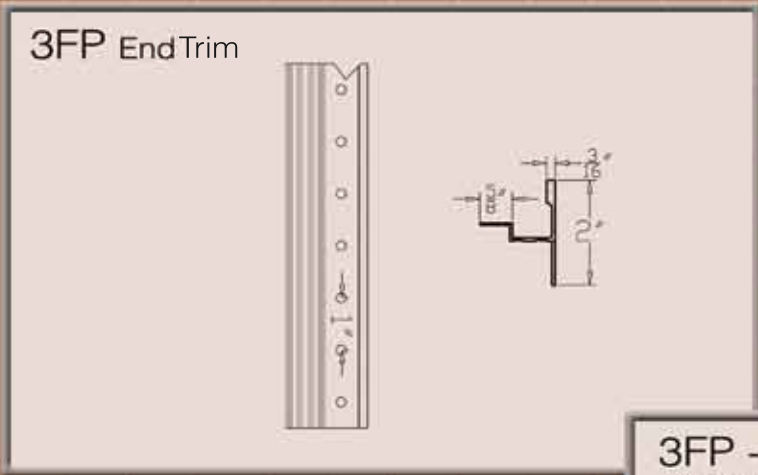


End Trim



Part Number 3FP

Material	Aluminum
Panels	1/4" (mirrors & graphic panels), 3/4"
Finishes	Bright Dipped, Black Anodized, Powder Coat
Stock Sizes	96", 120", 144"

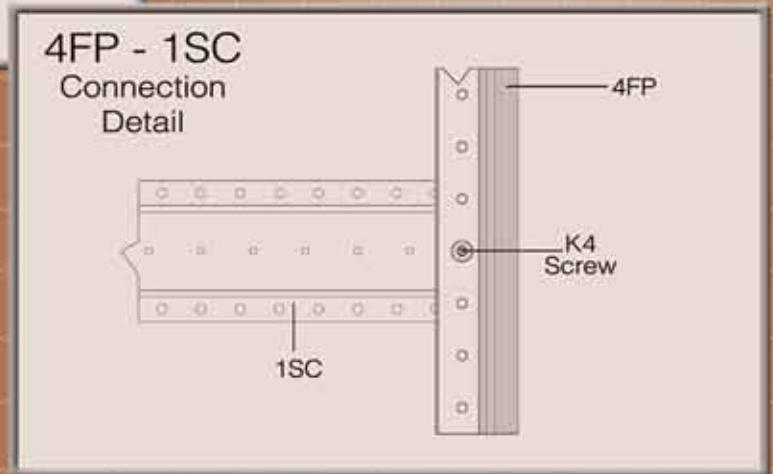
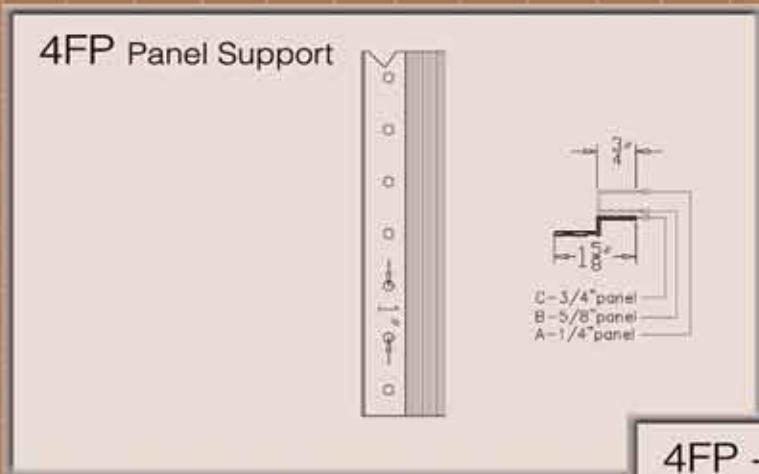


Panel Support

Material	Aluminum
Panels	1/4" (mirrors & graphic panels), 3/4"
Finishes	Mill
Stock Sizes	96", 120", 144"



Part Number 4FP



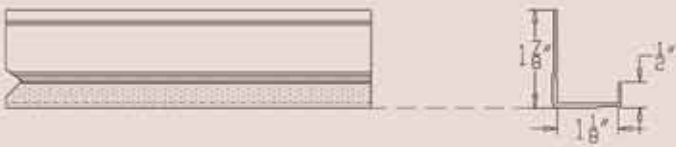
Bottom Channel - (Lip)



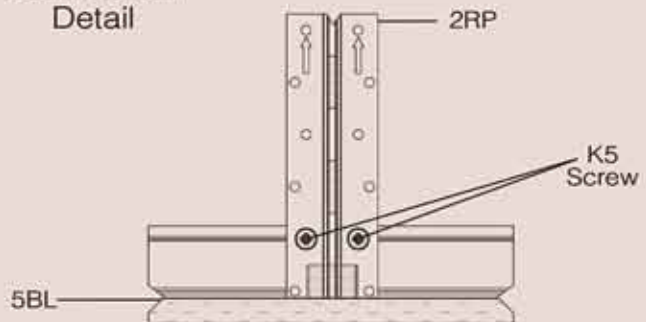
Part Number 5BL

Material	Aluminum
Panels	1/4" (mirrors & graphic panels), 3/4"
Finishes	Bright Dipped, Black Anodized, Powder Coat
Stock Size	120"

5BL Bottom Channel-(Lip)



5BL - 2RP
Connection
Detail

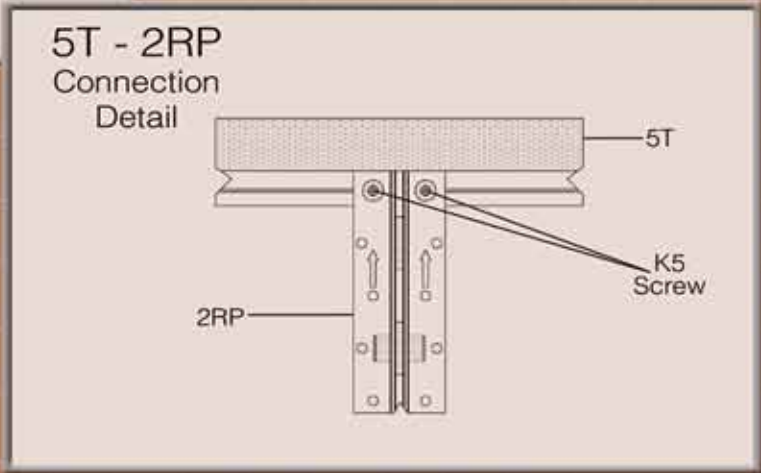
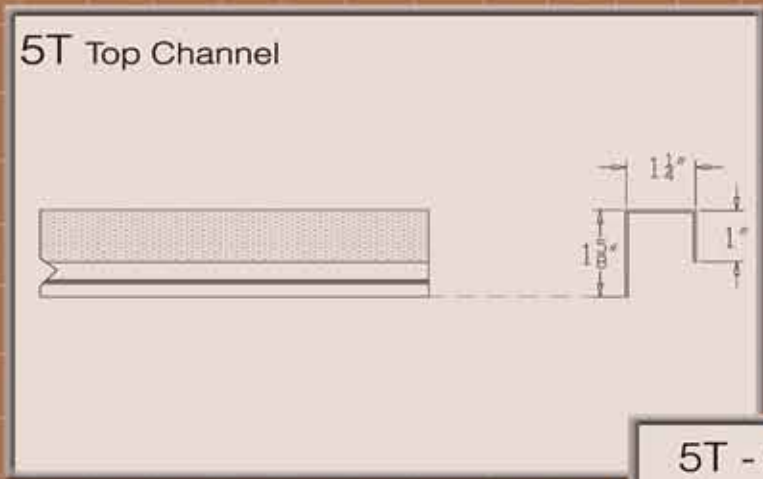


Top Channel



Part Number 5T

Material	Aluminum
Panels	1/4" (mirrors & graphic panels), 3/4"
Finishes	Bright Dipped, Black Anodized, Powder Coat
Stock Size	120"



Wall System Hardware



K4 System Fasteners



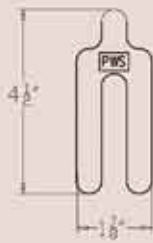
Number 10x5/8

K5 Teck Screws



Number 8x1/2

K2 Shim Stacks



25 per Stack





Removable Panel Recessed Standard System

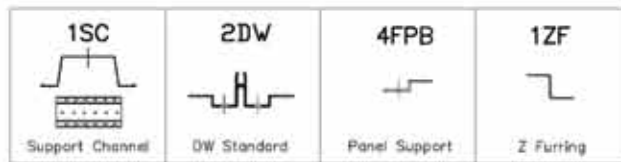
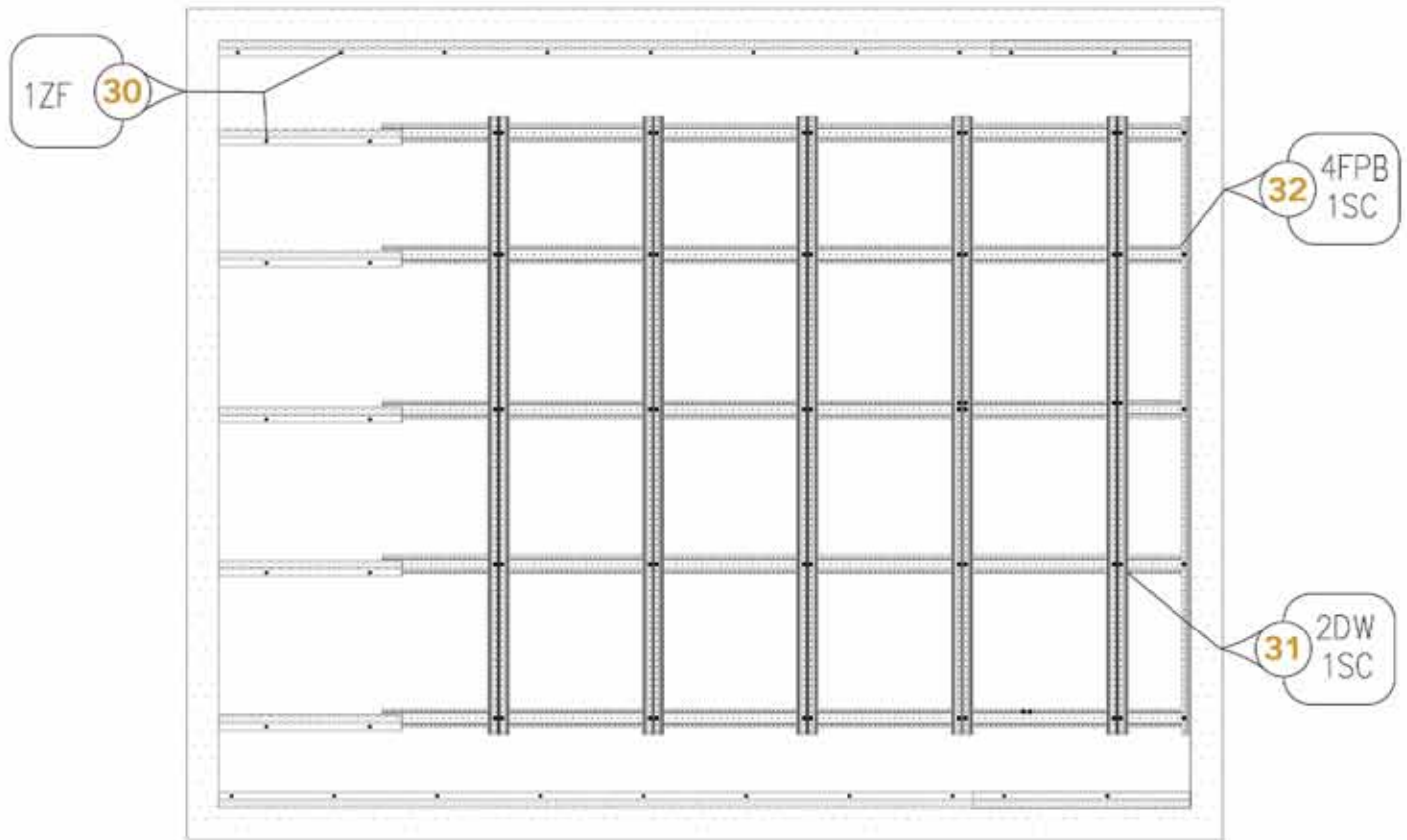
Drywall Recessed Standard System



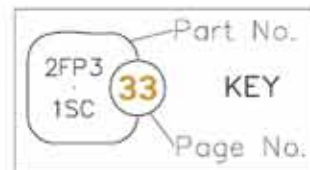
Eliminate hardware alignment problems with guaranteed exact spacing. The finished system measures only 2 inches thick. No additional studs or track necessary when mounted to an existing wall.



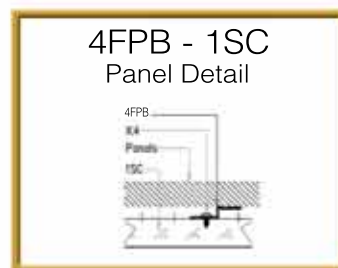
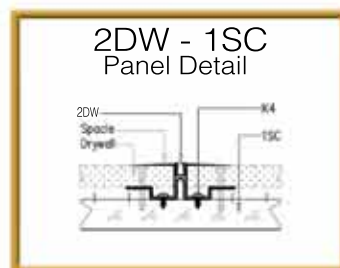
Typical Drywall System Elevation (grid only)



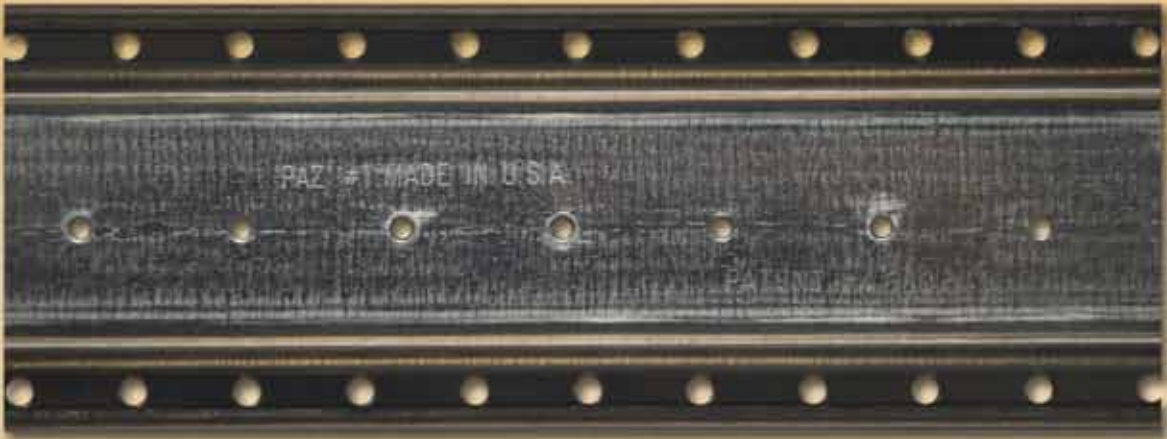
Key



Drywall Panel Details

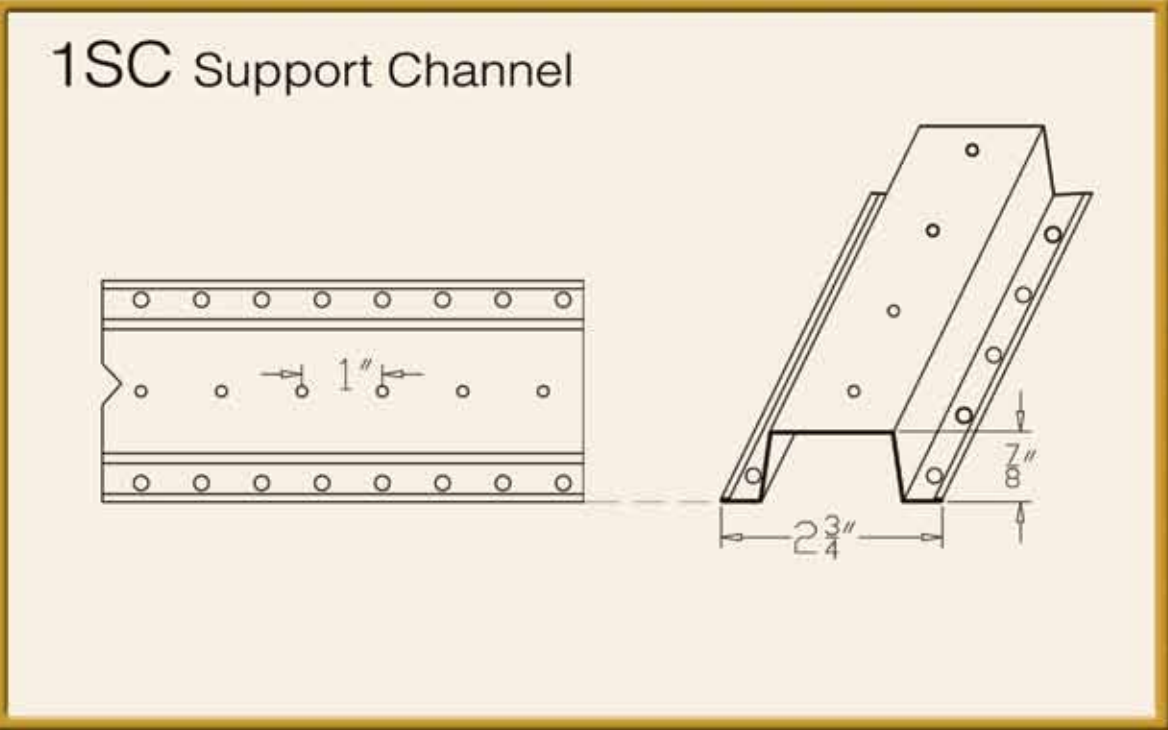


Support Channel



Part Number 1SC

Material	22 Ga. Steel
Finishes	Galvanized
Size	126"



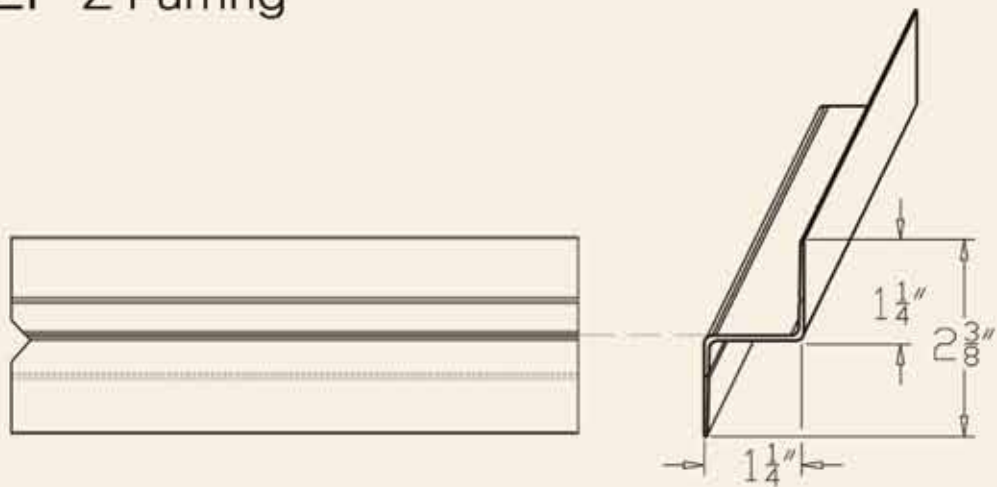
Z-Furring



Part Number 1ZF

Material	Aluminum
Finishes	Mill
Size	120''

1ZF Z Furring



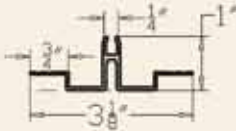
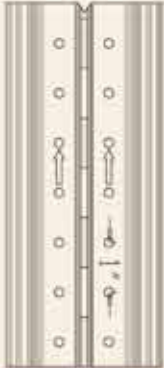
Display Recessed Standard

Material	Aluminum
Panels	5/8"
Finishes	Mill
Slotting	1/2"-1" (On Center), 1"-2" (On Center)
Stock Sizes	96", 120", 144"

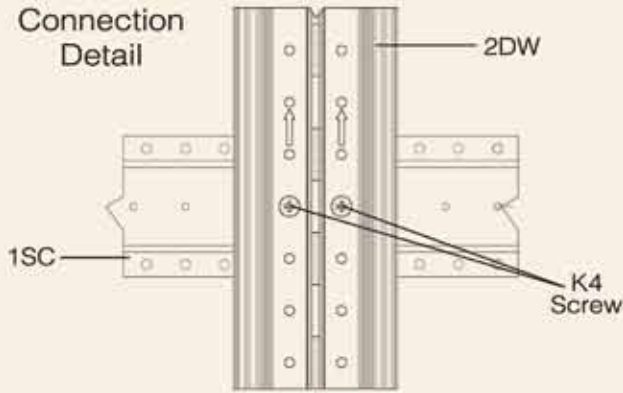


Part Number 2DW

2DW Display Recessed Standard



**2DW - 1SC
Connection
Detail**

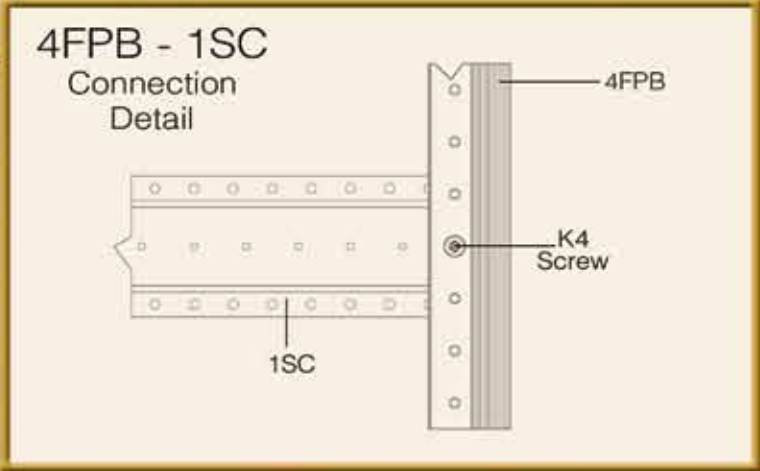
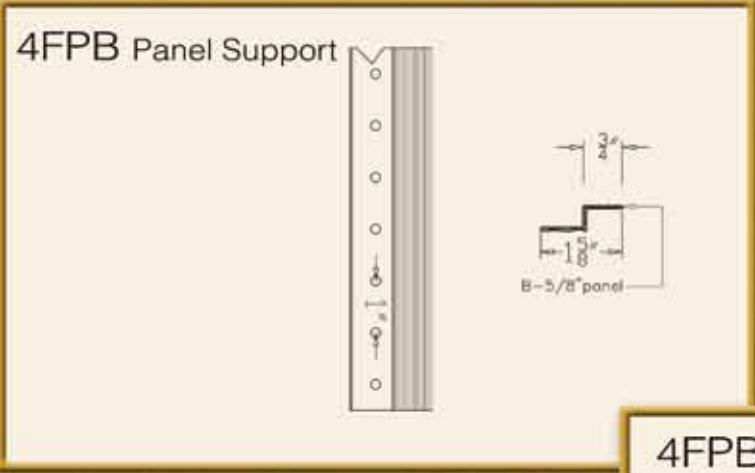


Panel Support

Material	Aluminum
Panels	5/8"
Finishes	Mill
Stock Sizes	96", 120", 144"



Part Number 4FPB



Wall System Hardware

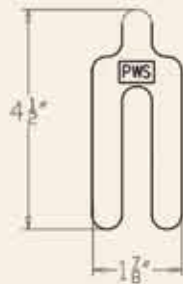


K4 System Fasteners



Number 10x5/8

K2 Shim Stacks



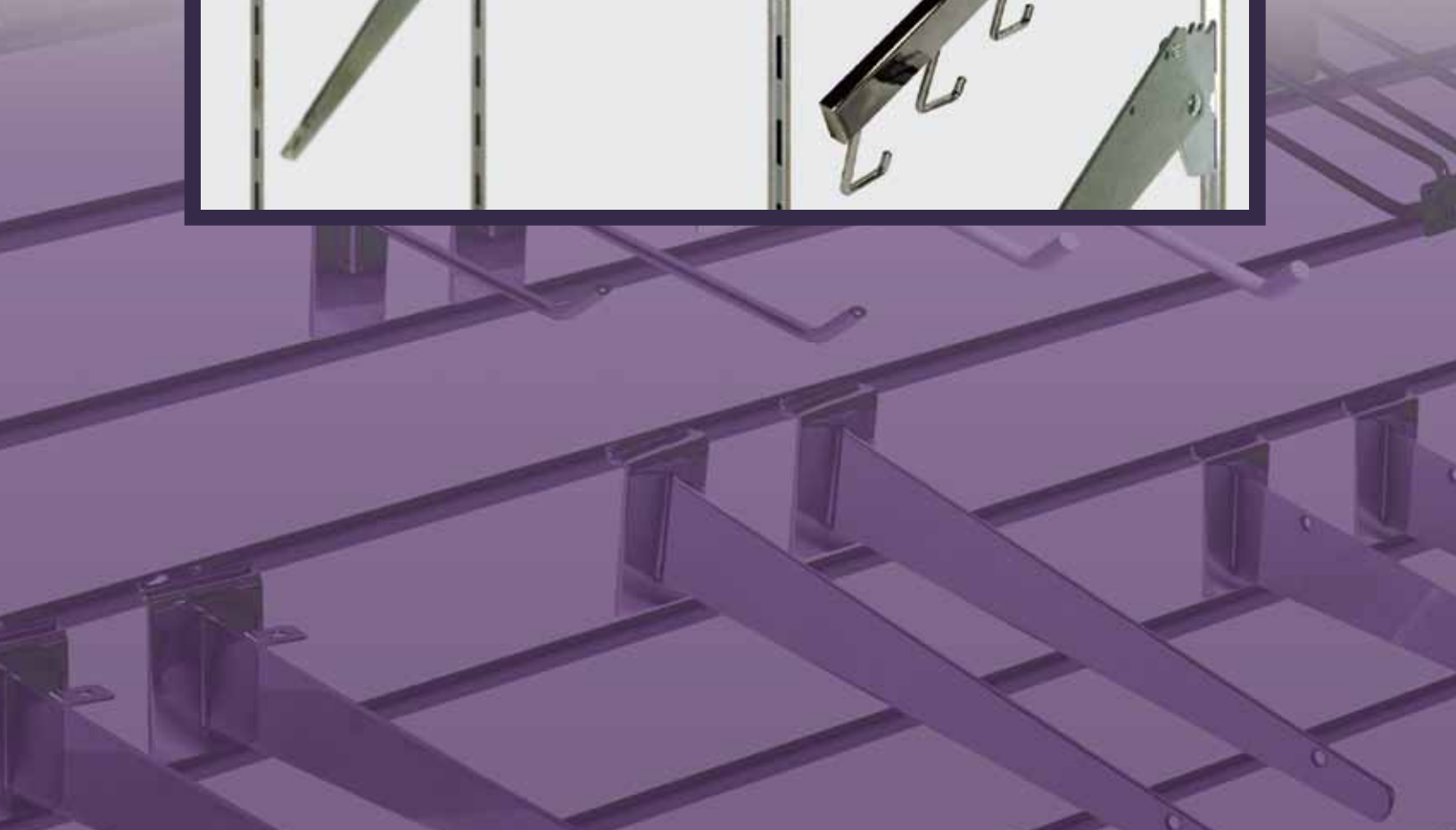
25 per Stack





Drywall Recessed Standard System

Panels and Panel Selection



Pazwall Panel Styles



Panels come in an array of colors and patterns that offer a wide variety of stylistic possibilities to complete the ideal look for leading retailers. When coupled with Pazwall's® patented wall system, the panels fit perfectly into place, saving hours of costly installation time.



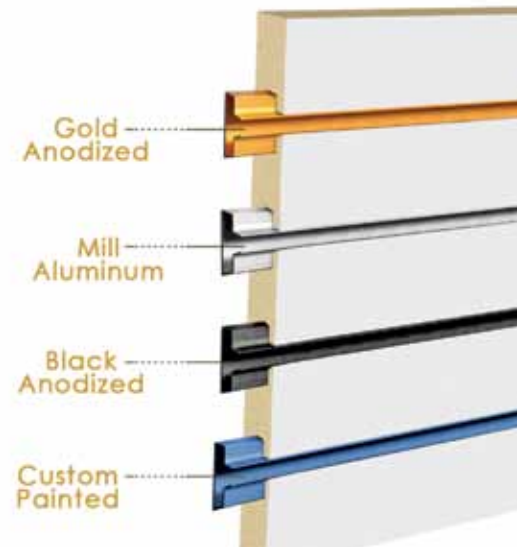
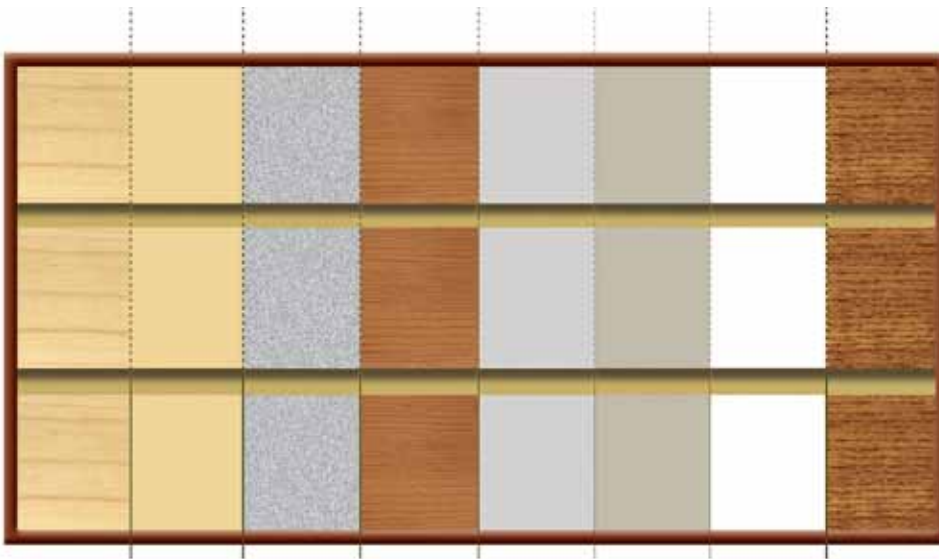
Ready to Finish

Fixed Panel

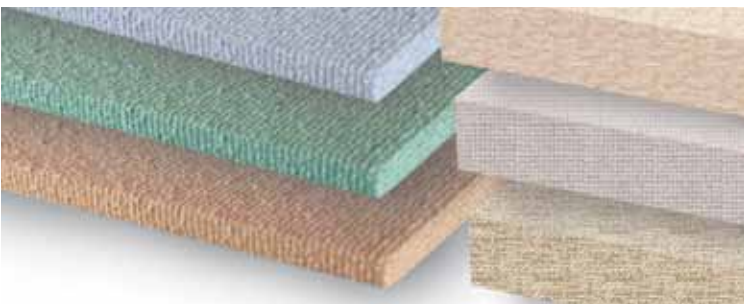
Removable Panel

Pazwall Slatwall Panels

Metal inserts can double the strength of the slatwall groove.



Pazwall Fabric Wrapped Panels



Pazwall Fabric Wapped Panels are manufactured to your design and application. Choose from a wide variety of Guilford of Maine fabric styles and colors. Self-healing and tackable, Guilford of Maine fabrics are class 1 or A rated (ASTM-84).

Micore 300® is at the core of Paz Fabric Wrapped Panels. A superior substrate that is both tackable and lightweight, Micore® is UL Classified and has a class A flame spread rating developed per ASTM E336-90; classified in accordance with ASTM E413-87.



Wilsonart: © 2008 Wilsonart International. Formica: 2007 © Formica Corporation.

Nevamar: © 2006 Panolam Industries International, Inc.. Pionite: © 2007 Panolam Industries International, Inc.

Micore 300® is a registered trademark of USG Corporation. Design Force® and Re-board® are registered trademarks of Design Force.

Terms & Conditions of Sale

PAYMENT TERMS (CREDIT PURCHASES): Net 15 to 30 days from date of invoice with approved credit. Terms may vary for special orders regardless of credit status. Past due invoices subject to finance charges of 1% per month. Customer agrees to pay all costs incurred by Paz Systems in the collection of delinquent amounts, if any, including reasonable attorney's fees.

CREDIT: All orders sold on credit are subject to Credit Department approval.

PAYMENT TERMS (NON-CREDIT PURCHASES): First time customers or customers without approved credit, payment terms are 50% upon ordering with the remaining 50% due upon delivery. Credit cards are accepted (Visa, Mastercard, and American Express).

FREIGHT: All sales are F.O.B. Destination with transportation allowed via Paz Systems designated mode. Additional charges may apply for expedited shipments, special handling requirements, and orders below certain dollar amounts. All 3rd Party freight orders are F.O.B. Paz Systems warehouse.

RETURN POLICY: Stock order products returned within 30 days of invoice must be in saleable condition to qualify for return. Saleable condition is defined as those unused items in original packaging. All returns subject to Paz Systems inspection and acceptance. All accepted returns are subject to a 20% restocking charge. Proof of purchase is required for all return materials. Special orders, discontinued items and items 30 days beyond the invoice date are not eligible for return credit.

WARRANTY: Paz Systems warrants that for a period of 1 year from the date it sells a product it will, at its sole option and discretion, refund the purchase price of, repair, or replace such product if it contains a defect in material or workmanship. Absence of Paz Systems' receipt of a written notification of such a defect within this 1 year period shall constitute a waiver of all claims with regard to such product. The foregoing warranty is in lieu of all other warranties, express or implied, including but not limited to the implied warranties of merchant-ability and fitness for a particular purpose. Paz Systems shall in no event be liable for, and Customer hereby agrees to indemnify Paz Systems against all claims related to, special, direct, indirect, consequential, or any damages arising out of or related to the sale, installation, use, or inability to use the product.

JURISDICTION: All transactions made pursuant hereto shall be deemed to have been made and entered into in Suffolk County, New York. Any and all disputes arising directly or indirectly from such transactions shall be resolved in the courts of the County of Suffolk, State of New York, to the exclusion of any other court, and any resulting judgment may be enforced by any court having jurisdiction of such an action. All transactions shall be governed by and construed in accordance with the laws of the State of New York.

AUTHORIZATION: Paz Systems sales representatives are not authorized to modify these terms and conditions.



Paz Systems Inc.

www.pazwall.com

140 Florida Street, Farmingdale, New York 11735-6309

Contact us at 631.420.5959 • fax 631.420.6948 • email: sales@pazsystems.com

Visit www.pazwall.com for online instructional videos and specification downloads

©2007 Paz Systems Inc. All Rights Reserved.
Pazwall™ is a Trademark of Paz Systems Inc.
Us Patent #6,430,833



pazwall[®]
BY PAZ SYSTEMS INC

140 Florida Street, Farmingdale, New York 11735-6309
Phone 631.420.5959 • Fax 631.420.6948
www.pazwall.com